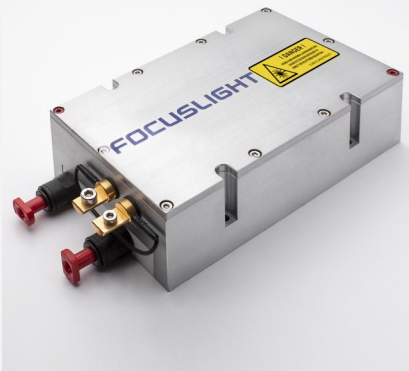


# High Power Fiber Coupled Diode Laser

## ND Series



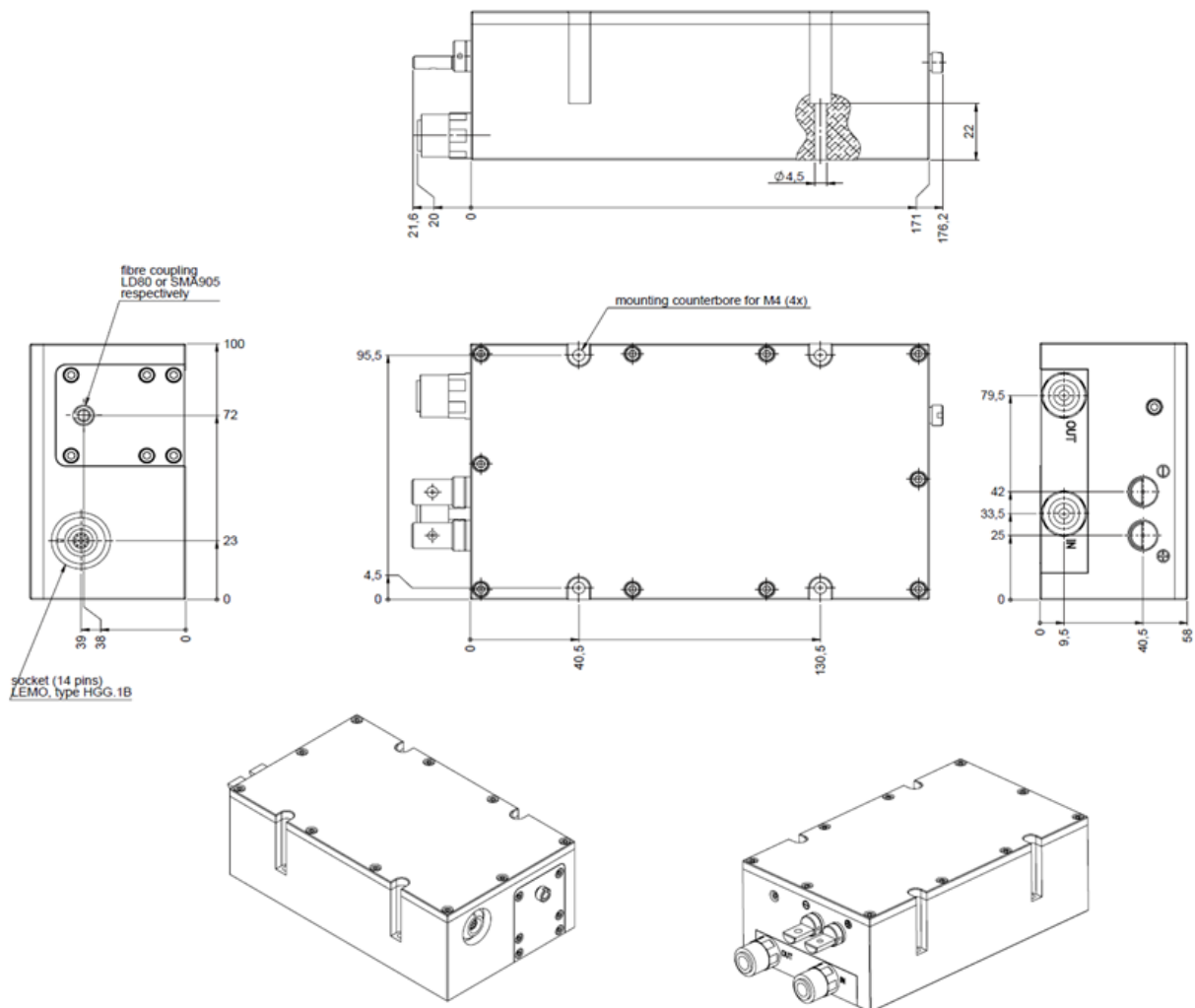
### Features

- High brightness
- High E/O efficiency
- Compact housing
- Hermetically sealed housing
- Water Cooling
- Plug and play fiber connector

### Applications

- Advanced Manufacturing
- Health
- Information Technology
- Scientific Research

### Product Dimensions (mm)



**Remark:** The structure drawing is for reference only. Please feel free to contact us for any special requirements.

## Product Specifications

Product Code	FCS000024	FCS000027	FCS000025	FCS000026
Part No. <sup>1</sup>	FL-ND2161-120-980-200	FL-ND3011-150-980-400	FL-ND3002-120-808-200	FL-ND3003-120-808-400

Optical Data	Unit	Value	Value	Value	Value
CW-nominal output power	W	120	150	120	120
Centroid wavelength	nm	980	980	808	808
Wavelength tolerance (±)	nm	10	10	10	10
Spectral width (FWHM)	nm	20	20	20	20
Wavelength Temp. drift	nm/°C	~ 0.34	~ 0.34	~ 0.28	~ 0.28
Wavelength stabilization		/	/	/	/

### Operation Conditions

Nominal diode heat sink Temp.	°C	25	25	25	25
Diode heat sink operation Temp. <sup>2</sup>	°C	+15 ... +30	+15 ... +30	+15 ... +30	+15 ... +30
Minimum heat sink capacity	W	300	340	300	300
Chiller flow capacity	L/min	5	5	5	5
Water pressure	bar	4	4	4	4

### Electrical Data

Max. operation current start of life	A	65	75	65	65
Max. operation current end of life	A	78	90	78	78
Typical threshold current	A	8	8	8	8
Typical operation voltage	V	6	6	6	6
Typical slope	W/A	2.4	2.4	2.3	2.3
Typical E/O efficiency	%	39	40	37	39

### Fiber connection

Fiber included		/	/	/	/
Fiber core diameter	µm	200	400	200	400
Numerical aperture		0.22	0.22	0.22	0.22
Fiber optic connector		SMA905	LD80	SMA905	SMA905

### Package

Dimensions	mm <sup>3</sup>	197.8×100×58	197.8×100×58	197.8×100×58	197.8×100×58
Weight basic package	kg	2.2	2.2	2.2	2.2
Storage Temp.	°C	-20 ... +60	-20 ... +60	-20 ... +60	-20 ... +60

### Additional Features

Temp. sensors	NTC & Pt100	NTC & Pt100	NTC & Pt100	NTC & Pt100
Monitor diode (driver: 5V)	Output signal: 0...2.5V	Output signal: 0...2.5V	Output signal: 0...2.5V	Output signal: 0...2.5V
Pilot beam (driver: 5V, 40mA)	1mW, 635±20nm	1mW, 635±20nm	1mW, 635±20nm	1mW, 635±20nm

### Measurement

Fiber	non AR coated, 200µm	non AR coated, 400µm	non AR coated, 200µm	non AR coated, 400µm
Diode heat sink Temp	°C	25	25	25

<sup>1</sup>Part No. = Brand Code - Series - Power - Centroid Wavelength - Fiber Core Diameter.

<sup>2</sup>Operation beyond recommended temperature may cause lifetime reduction or even damage to the product.

